

Model: DC-368 / DC-368H

Instruction Manual

Attention:

This appliance is not intended for use by persons (including Children) with reduced physical, sensory or mental capabilities or lack of experience and knowledge unless they have been given supervision or instruction concerning use of the appliance by a person responsible for their safety. Children should be supervised to ensure that they do not play with the appliance.

CONTENTS:

1. Safety Precaution	Page 2
2. Fan Structure Drawing (Hanger Bracket)	Page 3
3. Fan Structure Drawing (Hugger/Flush Mount)	Page 4
4. DC-368	
a) Installation of Hanger Bracket	Page 5
b) Installation of Downrod/Hanger Ball	Page 5
c) Hanging of Ceiling Fan	Page 6
d) Wiring of Ceiling Fan	Page 7
e) Installation of Canopy	Page 8
f) Installation of Fan Blades	Page 8
g) Installation of Lightkit	Page 9
5. DC-368H	
a) Installation of Hanging Plate	Page 9
b) Pre-fix the Ceiling Fan	Page 10
c) Wiring & Installation of Ceiling Fan	Page 10
6. Remote Control Manual (Wiring Diagram)	Page 11
7. Remote Control Manual (Button Function)	Page 12
8. Maintenance Tips	Page 13
9. Troubleshooting	Page 14
10. Notes	Page 15

SAFETY PRECAUTION:

IMPORTANT: PLEASE READ BEFORE INSTALLATION

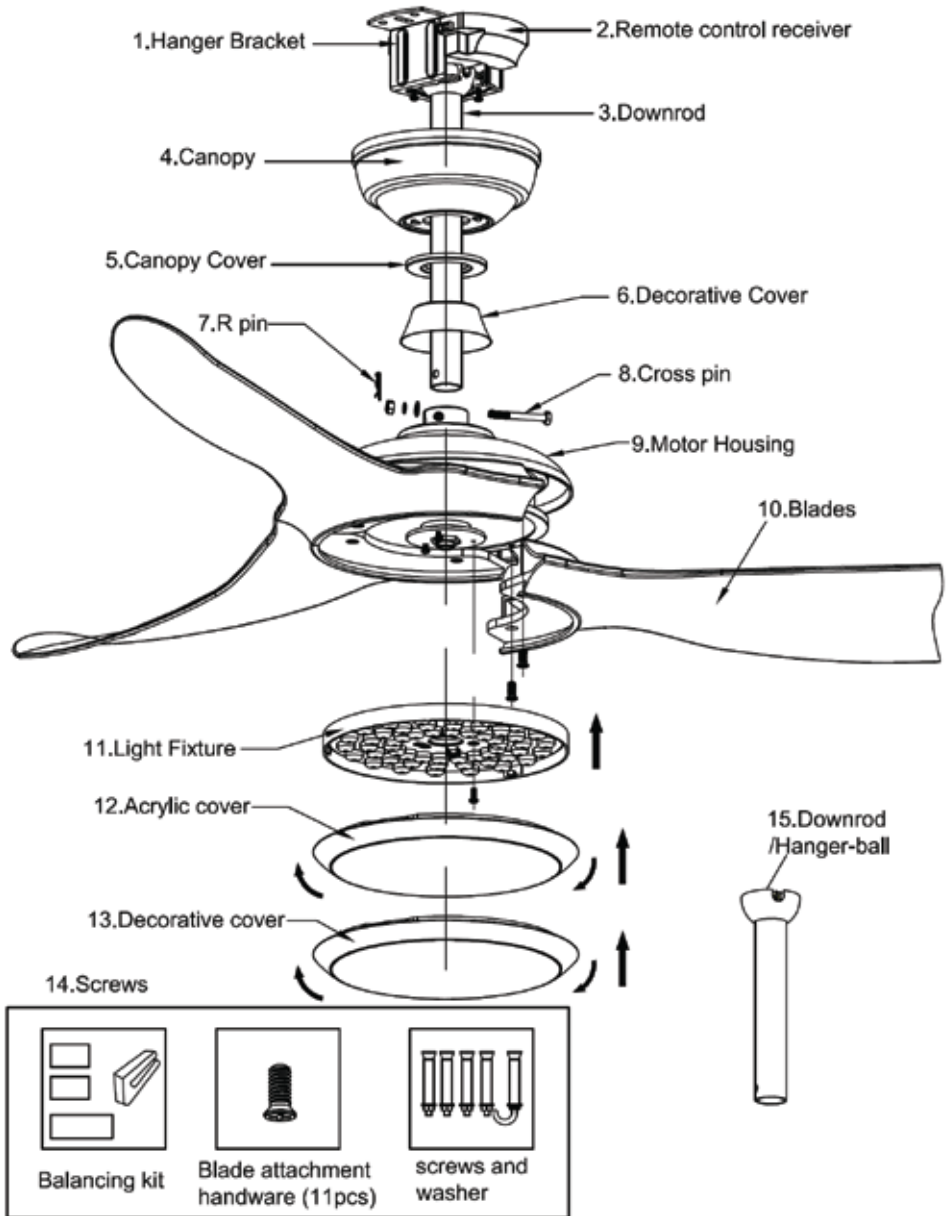
1. The installation work must be carried out by a qualified wiring installer.
2. Turn off the Electrical Main Switch at the circuit breaker fuse box.
3. Using power supply 220 – 240V ~ / 50Hz.
4. When mounting the fan, to ensure the safety cable is loop across the ceiling mounting 'J' hook.
5. The ceiling fan must be mounted so that the blades are more than 2.3 meters above the floor.
6. Do not operate the reverse switch when the fan is still in motion mode. Wait till its stop completely before switching to reverse mode.
7. Do not insert any objects in the path of the blades.
8. When all electrical connections are done, store all wires neatly.
9. Make sure all screws and connections are tightly screwed and secured.
10. The supply wires live and neutral must be connected to a double pole switch having a contact of at least 3mm in all poles.

WARNING

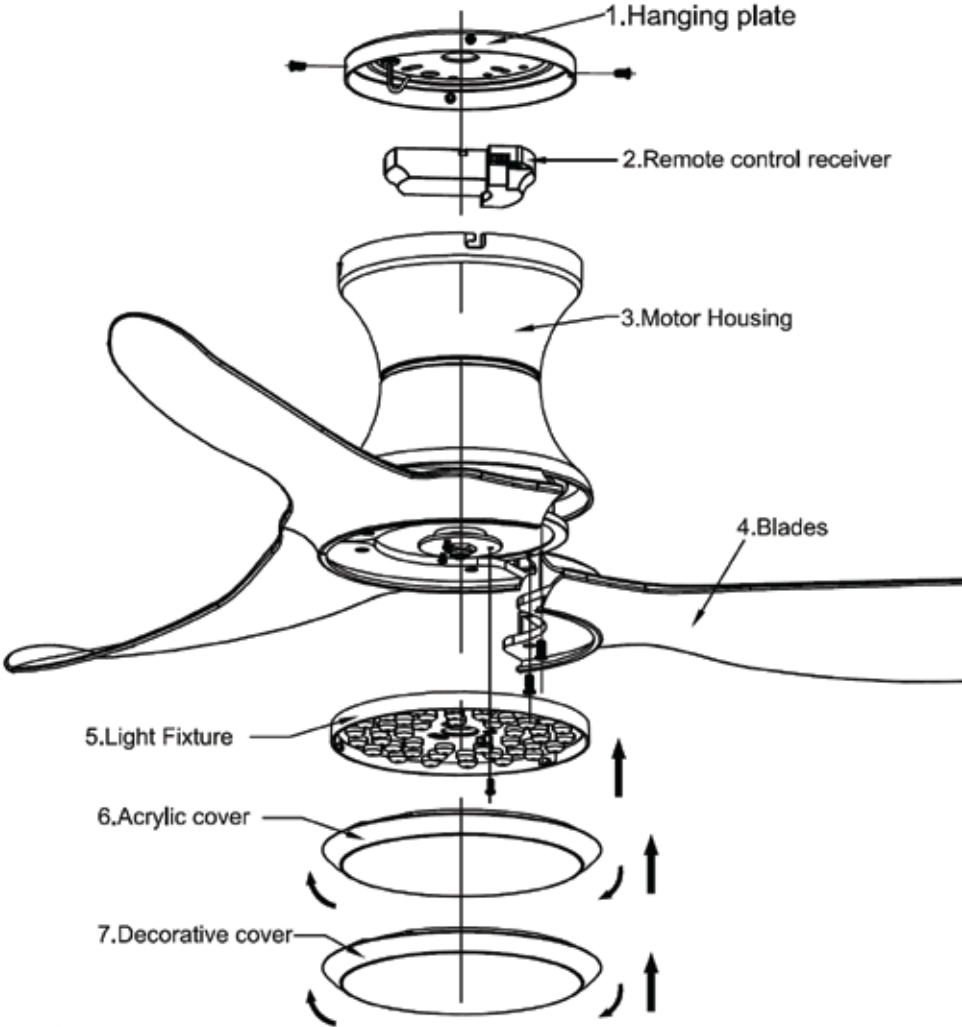
TO REDUCE THE RISK OF PERSONAL INJURY, DO NOT BEND THE BLADES BRACKETS DURING ASSEMBLY OR AFTER INSTALLATION. DO NOT INSERT ANY OBJECTS IN THE PATH OF THE BLADES.

TO REDUCE THE RISK OF SHOCK, THIS FAN MUST BE INSTALLED WITH AN ISOLATION WALL CONTROL / SWITCH.



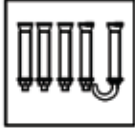
FAN STRUCTURE DRAWING (DC-368):



FAN STRUCTURE DRAWING (DC-368H):

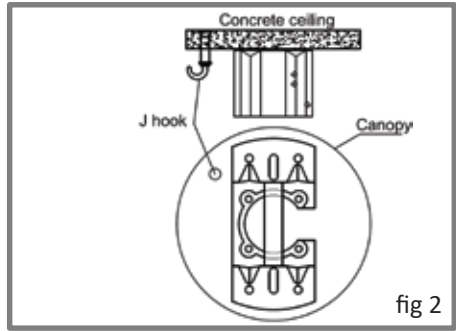
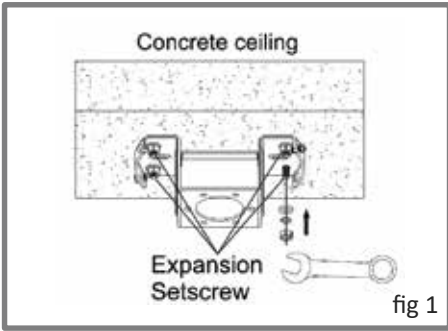


8. Screws

		
Balancing kit	Blade attachment hardware (11pcs)	screws and washer

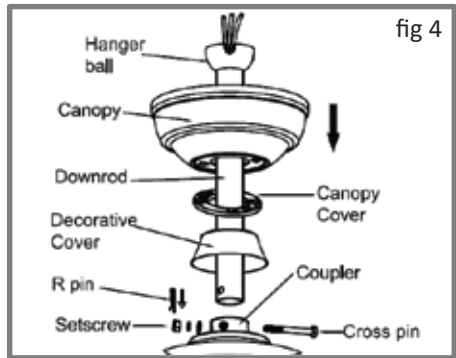
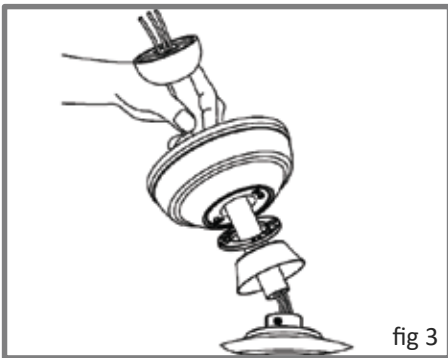
DC-368

INSTALLATION OF HANGER BRACKET:



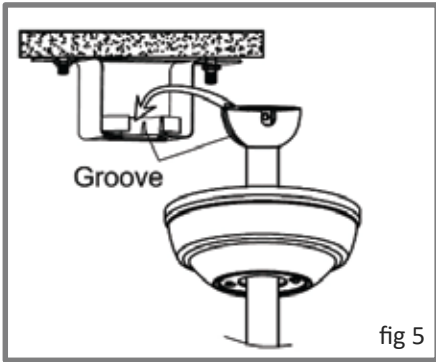
- 1) To use four Expansion Setscrew to install the hanger bracket firmly (fig 1).
- 2) Install the 'J' hook onto the concrete ceiling and fasten firmly. Note the place of 'J' hook as (fig 2).

INSTALLATION OF DOWNROD / HANGER BALL:

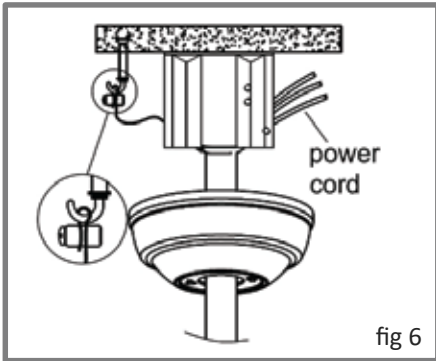


- 1) Remove the 'R' pin, setscrew and cross pin from the downrod.
- 2) Install the canopy, canopy cover and decorative cover through the downrod, thread the wires through the downrod, insert the downrod into the Coupler (fig 3).
- 3) Loosen the two setscrews from the Coupler. Install back the cross pin and secured with the 'R' pin. The 'R' pin must be properly installed to prevent the cross pin from working loose (fig 4).

HANGING OF CEILING FAN:



- 1) Carefully lift the fan and assembly into hanger bracket which is attached to the outlet box. Ensure the rod ball's groove is lined up with tab on the hanger bracket (fig 5).



- 2) Attach the safety wire (cord) to the expansion 'J' hook for safety purposes. Tighten the nuts firmly (fig 6).

WIRING OF CEILING FAN:

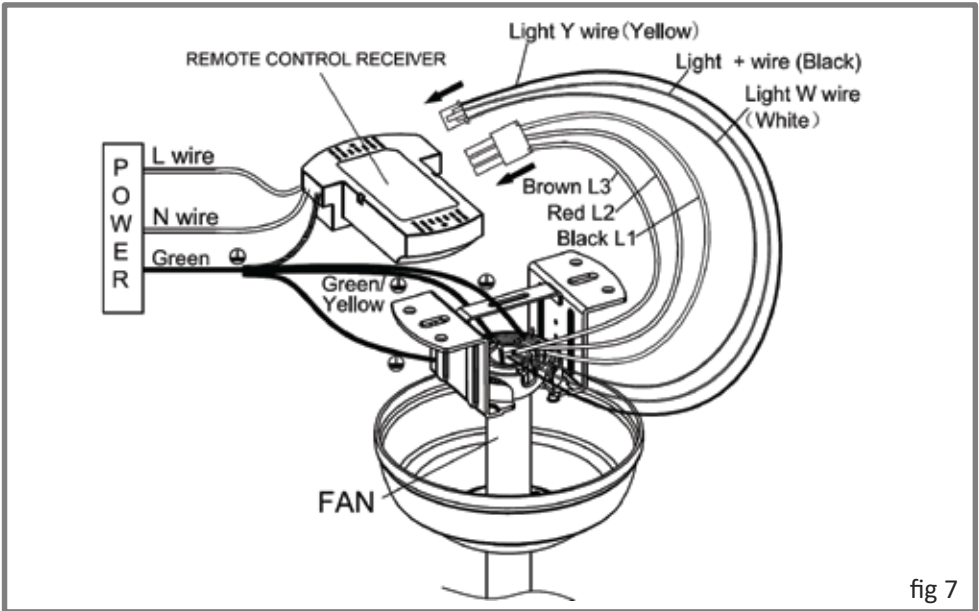
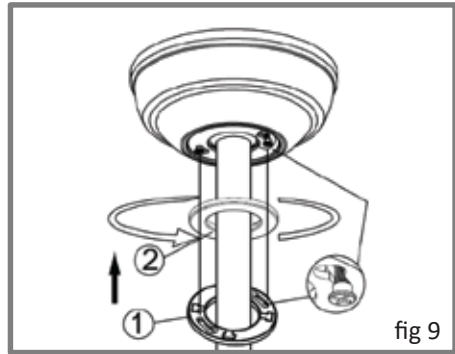
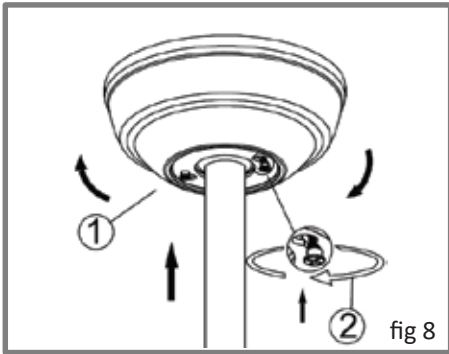


fig 7

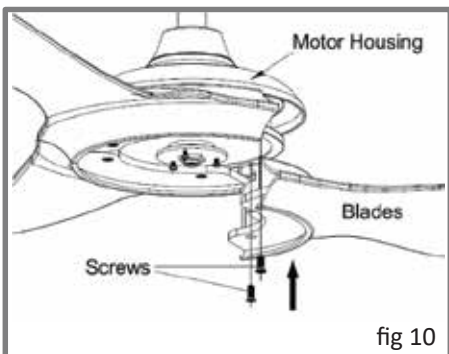
- 1) Total three groups of wires from the top of the motor:
 - * White, Black, Yellow wires with small connector - for lightkit
 - * Black(L1), Red(L2), Brown(L3) wires with big connector - live wire for fan
 - * Green/Yellow - ground wire
- 2) Plug the connector from the motor into the remote control receiver: big connector to the big socket, small connector to the small socket (Do not connect the small connector for fan without lightkit).
- 3) Connect motor, hanger bracket, hanger ball Green/Yellow wires and remote control receiver wires to AC wires: White to Neutral, Black to Live, Green/Yellow to Ground.
- 4) Earth wire is longer than safety cord by 60mm and more. When the failure of the suspension system occurs, the current carrying conductor taut before the earthing conductor and the body of the fan assembly is still effectively earthed.

INSTALLATION OF CANOPY:



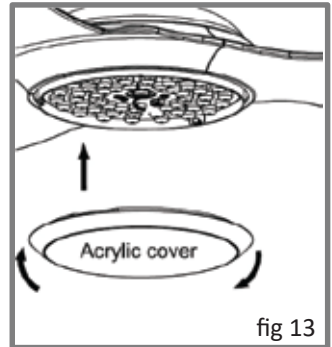
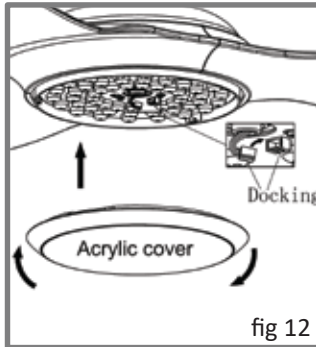
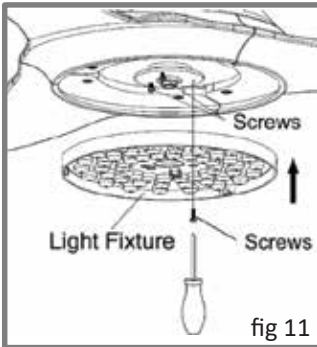
- 1) Attach the canopy to the hanger bracket by pushing up the twist to locate screws in the two keyholes. Check and make sure the canopy does not press on any wires as the wires might breakdown and caused short-circuited.
- 2) Tighten the two screws firmly. The two screws will be protruded with some allowance to receive the canopy cover (fig 8).
- 3) Move the canopy cover towards the canopy and attach to the screws and twist anti-clockwise until its installed tightly (fig 9).

INSTALLATION OF FAN BLADES:



- 1) Remove the blade screws from the motor. Attached the blades to the motor and tighten the screws firmly (fig 10).

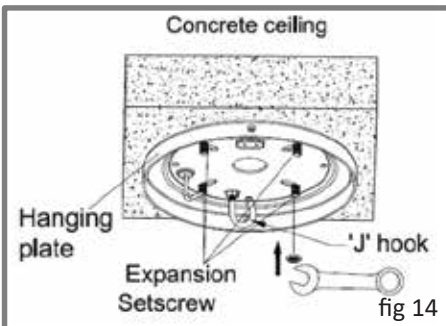
INSTALLATION OF LIGHTKIT:



- 1) Remove one screw from the motor round piece, unscrew the other two screws out by 3 to 4mm.
- 2) Attach the lightkit to the fan, fix the first screw back to the hole and tighten all the three screws firmly (fig 11).
- 3) Direct plug in the wire to the lightkit docking/connector (fig 12)
*skip this step if using decorative cover.
- 4) Attach the acrylic cover / decorative cover to the lightkit and twist clockwise until its secured tightly (fig 13).

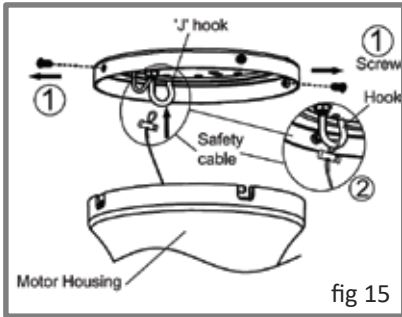
DC-368H

INSTALLATION OF HANGING PLATE:



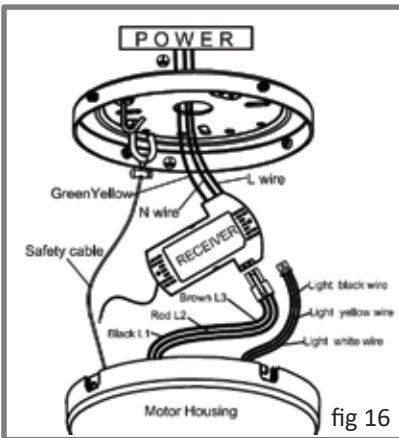
- 1) To use four Expansion Setscrew to install the Hanging Plate (fig 14).
*AC wires must pass through the hanging plate center hole.
- 2) Install the 'J' hook onto the concrete and fastened firmly.

PRE-FIX THE CEILING FAN:

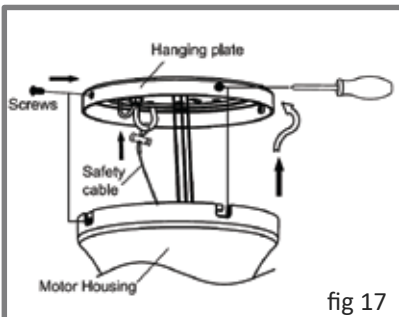


- 1) Remove the two opposite screws from the hanging plate (fig 15).
*It will be use on the step 'INSTALLATION OF CEILING FAN'
- 2) Install the safety cable to the expansion 'J' hook (fig 15).

WIRING & INSTALLATION OF CEILING FAN:



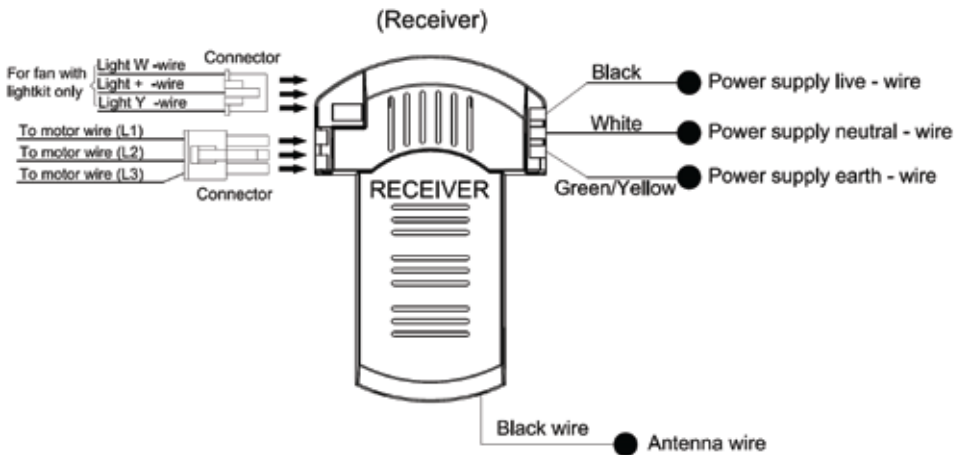
- 1) Connect the motor wires and receiver wires to the AC wires (fig 16).
*The connection method follow the step 'WIRING OF CEILING FAN' on page 7.
- 2) Unscrew the two screws from the hanging plate out by $\frac{1}{2}$.
- 3) Align the 'L' shape groove on the motor to the hanging plate screws, insert the two screws into the groove until its held tight.



- 4) Fix back the two screws which removed in the step 'PRE-FIX THE CEILING FAN' to the hanging plate hole and tighten all the four screws firmly (fig 17).

REMOTE CONTROL MANUAL (Wiring Diagram):

1. This manual is to use for the controller of ceiling fan and lightkit.
2. Disconnect power supply before wiring.
3. Install the Receiver inside the canopy of ceiling fan to ensure proper protection.

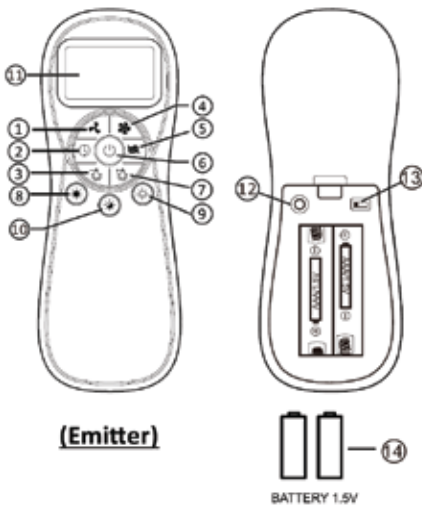


Adopt RF wireless digit emission technique, biunique controlled, coincident code rate is less than one millionth.

Receiver can be controlled by any angles of the Emitter in prescriptive space and unrestricted by direction.

REMOTE CONTROL MANUAL (Button Function):

Model: DC-FT310



- ① Short Press: Speed Down, Long Press: Fan OFF
- ② Timer
- ③ Short Press: Light Dim Down, Long Press: Light OFF
- ④ Short Press: Speed Up, Long Press: Fan OFF
- ⑤ Natural Wind
- ⑥ Main ON & OFF (with last memory function)
- ⑦ Short Press: Light Bright Up, Long Press: Light OFF
- ⑧ Warm Light
- ⑨ Day Light
- ⑩ Cool Light
- ⑪ Display Panel
- ⑫ N/A
- ⑬ Fan Forward-Reverse Button
- ⑭ 1.5V Battery x 2

IMPORTANT

- 1) Insert two size AAA alkaline batteries by matching **+** and **-** on the batteries to the diagram inside the battery compartment of the remote control.
- 2) Steps to pair the Emitter and Receiver:
 - i. Turn 'ON' the supply power.
 - ii. Within 30 seconds, press and hold the Emitter button '**0**' for 5 seconds until hearing a long 'beep' sound.
 - iii. Pairing successfully (learning mode is not acceptable after turn 'ON' the supply power for more than 30 seconds).
- 3) When the Emitter cannot control the Receiver, check surrounding for any existence of similar remote control products. Some interference might occur when similar radio waves being transmitted.
- 4) Replace the batteries when found low in voltage as it will affected the sensitivity of the Emitter.
- 5) Always remove the batteries from the Emitter when leaving unused for long period of time.

MAINTENANCE TIPS:

1. Because of the fan's natural movement, some connections may be loose. To check the support connections, brackets and blades attachments 2 times a year. Make sure they are all secured (It is not necessary to dismantle the entire fan from ceiling).
2. Clean your fan periodically to help maintain its appearance over the years. Do not use water when cleaning, use only a soft brush or lint-free cloth to avoid scratching the finish. The plating is coated with a lacquer to minimize the ratio of discoloration or tarnishing which would damage the motor or the wood or possibly cause an electric shock.
3. You can apply a light coat of furniture varnishing to the wood for additional protection and enhance its beauty. Surface scratched mark can be touch-up with a light coat of shoe polish.
4. There is no need to oil your fan. The motor is created with lubricated sealed ball bearings.
5. User are advised to contact the fan supplier to conduct regular examination of the fan suspension system at least once in every two years.

WARNING

MAKE SURE THE POWER IS SWITCH OFF AT THE ELECTRICAL PANEL BOX BEFORE YOU ATTEMPT TO ANY REPAIRS (REFER TO THIS SECTION), MAKING ELECTRICAL CONNECTIONS.

TROUBLESHOOTING:

PLEASE CHECK THE FOLLOWING BEFORE LODGING A SERVICE REPORT

PROBLEM	REASON	SOLUTION
Fan not moving	<ol style="list-style-type: none">1) Main cables not connected.2) Check the line wires.	<ol style="list-style-type: none">1) Check mains & sub circuit breakers or fuse.2) Check the line wires connections to the fan & switch housing.
Fan noisy	<ol style="list-style-type: none">1) Housing screw loose.2) Wire nut connections rattles against each other.3) Canopy touches the ceiling.	<ol style="list-style-type: none">1) Tighten all screws.2) Separate & store neatly all the wire nut connections.3) Check & ensure the canopy is not touching or too close to the ceiling.
Remote control not working	<ol style="list-style-type: none">1) Remote & receiver pairing out.2) Battery not installed.3) Battery weak	<ol style="list-style-type: none">1) Pairing required – follow page 12, clause 2.2) Install the remote control battery.3) Change new battery.

NOTES:

DRAWING SHOWING THE ASSEMBLY OF WIRES THROUGH FAN MOTOR SHAFT FOR DECORATIVE CEILING FAN

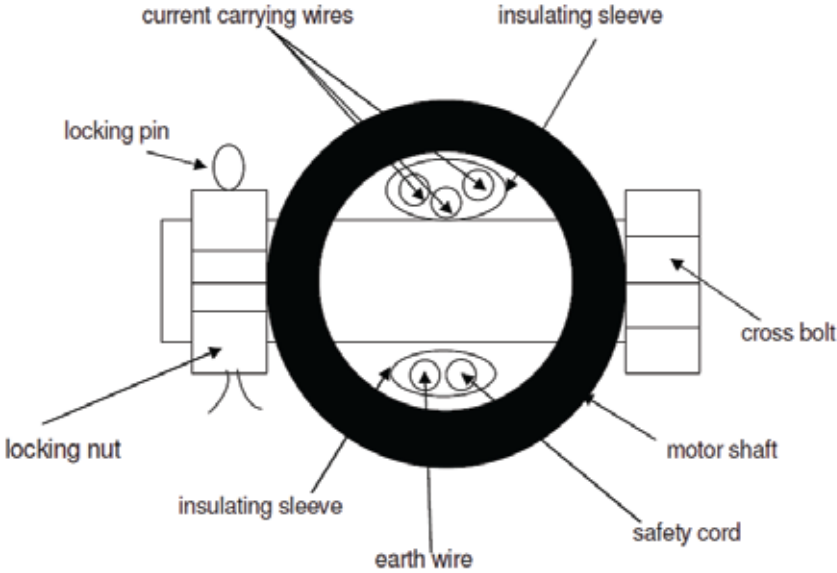


Figure B: Acceptable (wires not under stress)