

Model: DC-325

# Instruction Manual

**Attention:**

This appliance is not intended for use by persons (including children) with reduced physical, sensory or mental capabilities or lack of experience and knowledge unless they have been given supervision or instruction concerning use of the appliance by a person responsible for their safety. Children should be supervised to ensure that they do not play with the appliance.

---

## CONTENTS:

1. Safety Precaution .....	Page 2
2. Fan Structure Drawing .....	Page 3
3. Installation of Hanging Bracket .....	Page 4
4. Installation of Downrod / Hanger Ball .....	Page 5
5. Hanging of Ceiling Fan .....	Page 6
6. Wiring of Ceiling Fan.....	Page 7
7. Installation of Canopy .....	Page 8
8. Installation of Fan Blades .....	Page 8
9. Installation of Lightkit .....	Page 9
10. Remote Control Manual (Wiring Diagram) .....	Page 10
11. Remote Control Manual (Button Function) .....	Page 11
12. Maintenance Tips .....	Page 12
13. Troubleshooting .....	Page 13
14. Notes .....	Page 14

---

# SAFETY PRECAUTION:

---

## IMPORTANT: PLEASE READ BEFORE INSTALLATION

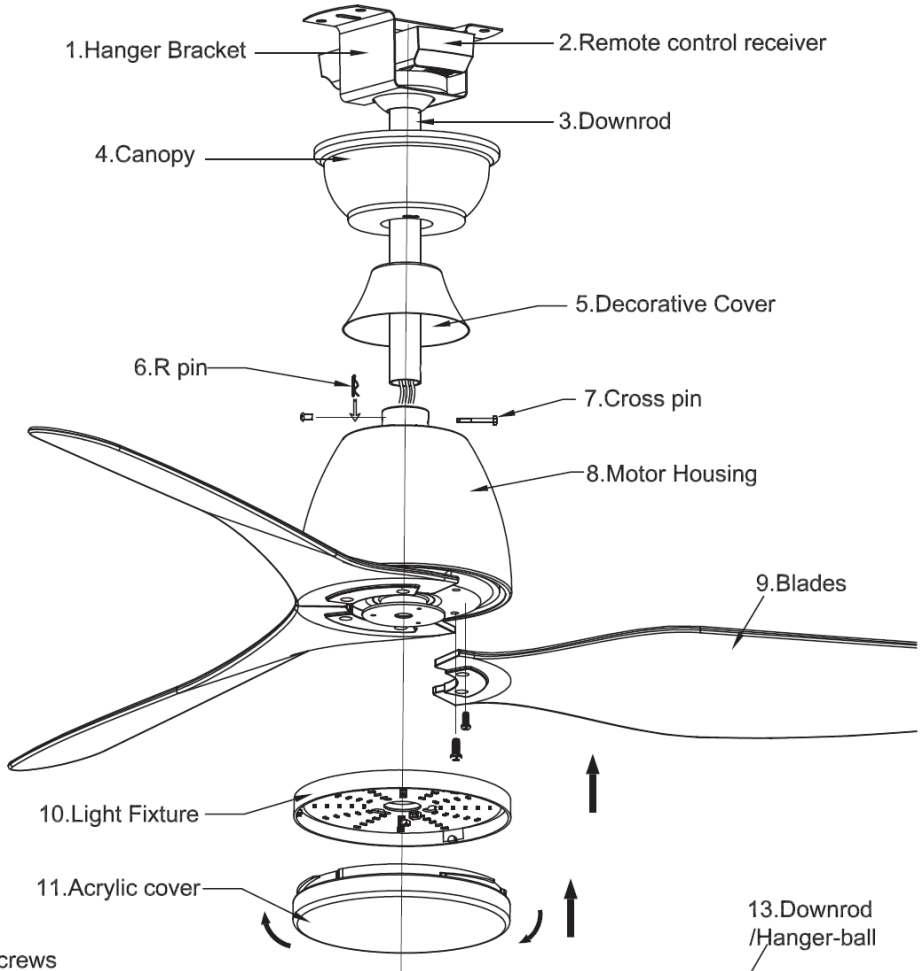
1. The installation work must be carried out by a qualified wiring installer.
2. Turn off the Electrical Main Switch at the circuit breaker fuse box.
3. Using power supply 220 - 240V ~ 50Hz.
4. When mounting the fan, ensure the safety cable is loop across the ceiling mounting 'J' hook.
5. The ceiling mounting hook must be able to withhold a min. of 35 pounds.
6. The ceiling fan must be mounted at a min. height of 2.3 meters of clearance from the floor.
7. Do not operate the reverse switch when the fan is still in motion mode. Wait till its stop completely before switching to reverse mode.
8. Do not insert any objects in the path of the blades.
9. When all electrical connections are done, store all wires neatly.
10. Make sure all screws and connections are tightly screwed and secured.
11. The supply wires live and neutral must be connected to a double pole switch having a contact of at least 3mm in all poles.

## **WARNING**

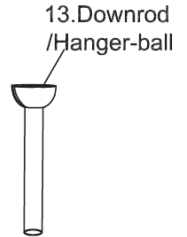
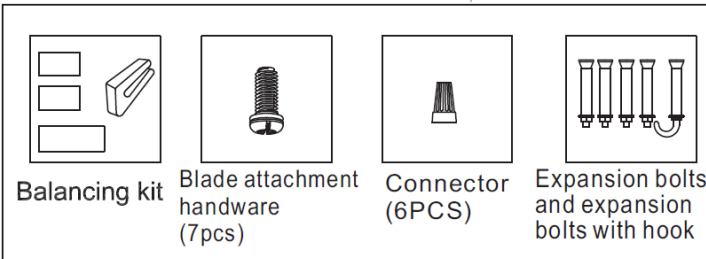
**TO REDUCE THE RISK OF PERSONAL INJURY, DO NOT BEND THE BLADES BRACKETS DURING ASSEMBLY OR AFTER INSTALLATION.  
DO NOT INSERT ANY OBJECTS IN THE PATH OF THE BLADES.**

**TO REDUCE THE RISK OF SHOCK, THIS FAN MUST BE INSTALLED  
WITH AN ISOLATION WALL CONTROL / SWITCH.**

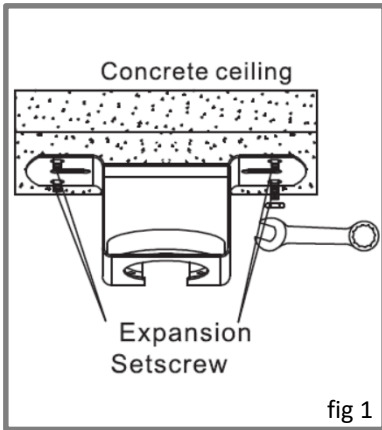
# FAN STRUCTURE DRAWING:



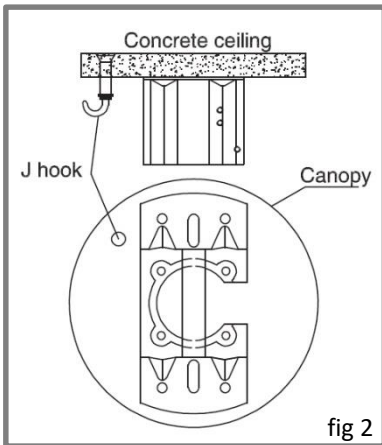
12.Screws



# INSTALLATION OF HANGER BRACKET:

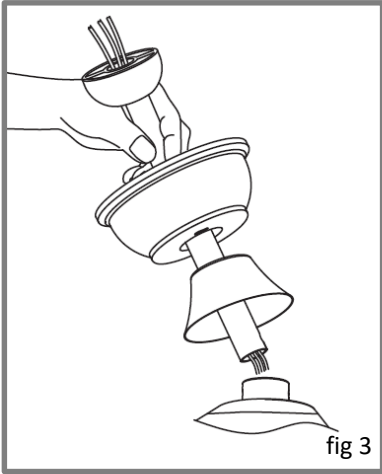


- 1) To use Four Expansion Setscrew to install the hanger bracket firmly (fig 1).

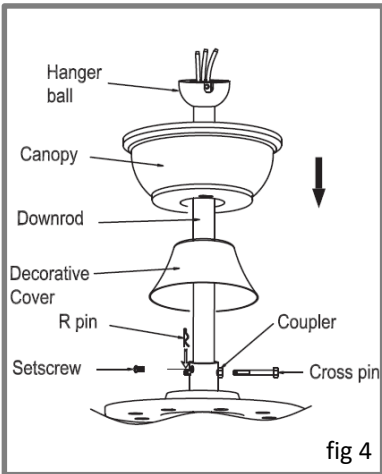


- 2) Install the 'J' hook onto the concrete ceiling and fasten firmly. Note the place of 'J' hook as (fig 2).

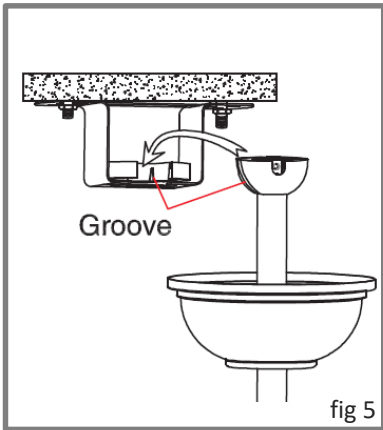
# INSTALLATION OF DOWN ROD / HANGER BALL:



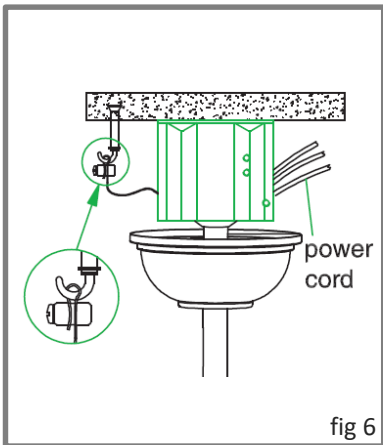
- 1) Remove the 'R' pin and Cross pin from the down rod.
- 2) Install the canopy and housing cover through the down rod then thread the wires through the down rod, insert the down rod into the connector (fig 3).
- 3) Loosen the two setscrews in the down rod support. Install back the Cross pin and secured with the 'R' pin. The 'R' pin must be properly installed to prevent the Cross pin from working loose (fig 4).



## HANGING OF CEILING FAN:

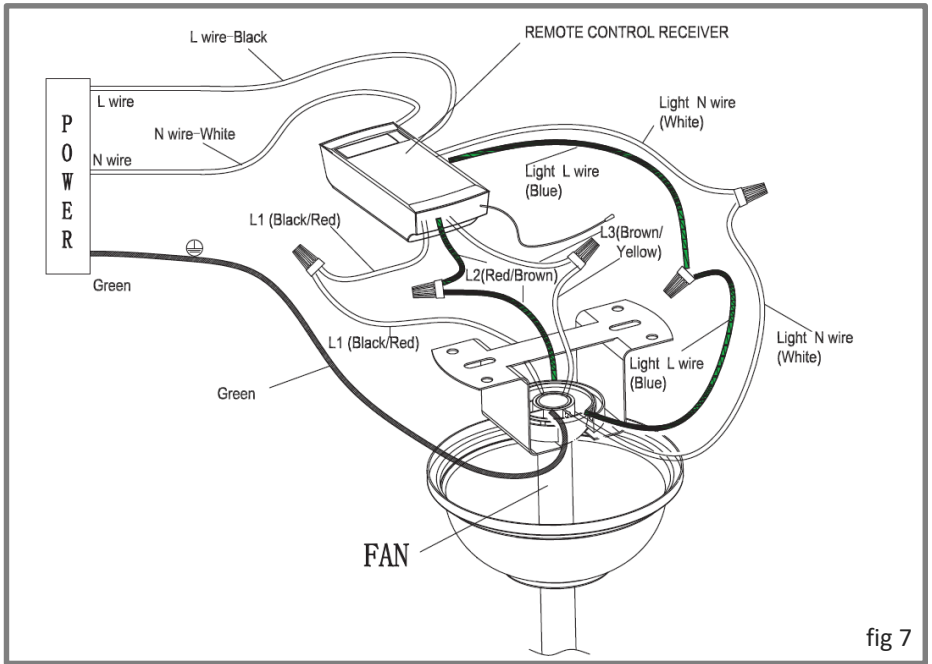


- 1) Carefully lift the fan and assembly into hanger bracket which is attached to the outlet box. Ensure the rod ball's groove is lined up with tab on the hanger bracket. (fig 5)



- 2) Attach the safety wire (cord) to the expansion 'J' hook for safety purposes. Tighten the nuts firmly. (fig 6)

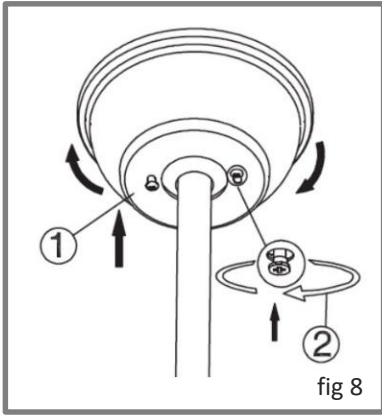
# WIRING OF CEILING FAN:



- 1) Total six colors of wires connected from the top of the motor:
  - \* White – neutral wire for lightkit
  - \* Blue – live wire for lightkit
  - \* Black/Red, Red/Brown, Brown/Yellow – live wire for fan
  - \* Green – ground wire
- 2) Connect motor wires to remote control receiver wires: White to White ('N' for lightkit), Blue to Blue, Black/Red to Black/Red, Red/Brown to Red/Brown, Brown/Yellow to Brown/Yellow.
- 3) Connect motor Green wire and remote control receiver wires to AC wires: White to Neutral, Black to Live, Green to Ground.
- 4) Earth wire is longer than safety cord by 60mm and more. When the failure of the suspension system occurs, the current carrying conductor taut before the earthing conductor and the body of the fan assembly is still effectively earthed.

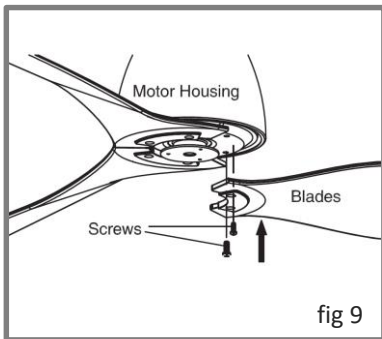


## INSTALLATION OF CANOPY:



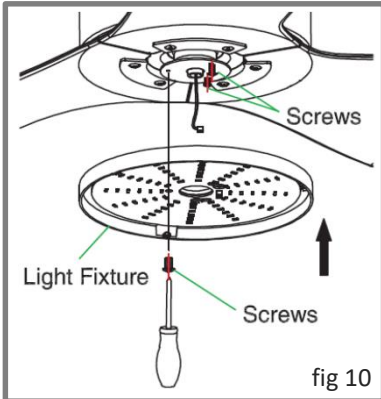
- 1) After done up the wiring, attach the canopy to the hanger bracket by pushing up and twist to locate screws in the two key holes.
- 2) Tighten the two screws firmly.

## INSTALLATION OF FAN BLADES:



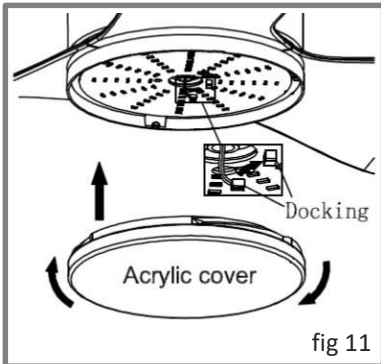
- 1) Remove the blade screws from the motor. Attach the blades to the motor and tighten the screws firmly. (fig 9)

# INSTALLATION OF LIGHTKIT:



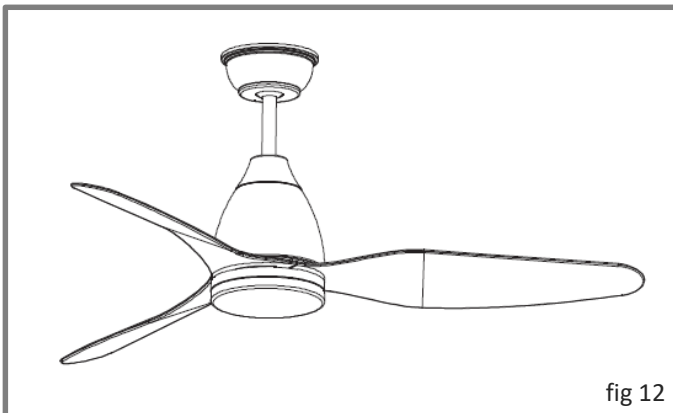
1) Remove one screw from the motor round piece, unscrew the other two screws out by 3-4mm. (fig 10)

2) Attach the lightkit to the fan, fix the first screw back to the hole and tighten all the three screws firmly. (fig 10)



3) Direct plug in the wire to the lightkit docking (connector). Carefully attach the acrylic cover to the lightkit and twist clockwise until its secured tightly. (fig 11)

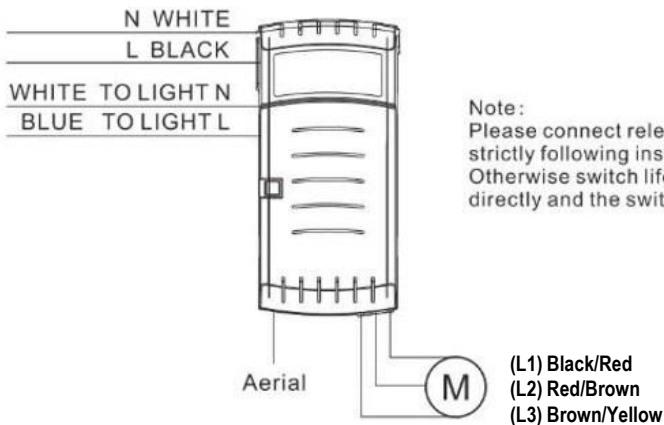
4) The finished product as fig 12.



# REMOTE CONTROL MANUAL (WIRING DIAGRAM):

1. This manual is to use for the controller of ceiling fan and lightkit.
2. Disconnect power supply before wiring.
3. Install the Receiver inside the canopy of ceiling fan to ensure proper protection.

## Receiver



Adopt RF wireless digit emission technique, biunique controlled, coincident code rate is less than one millionth.

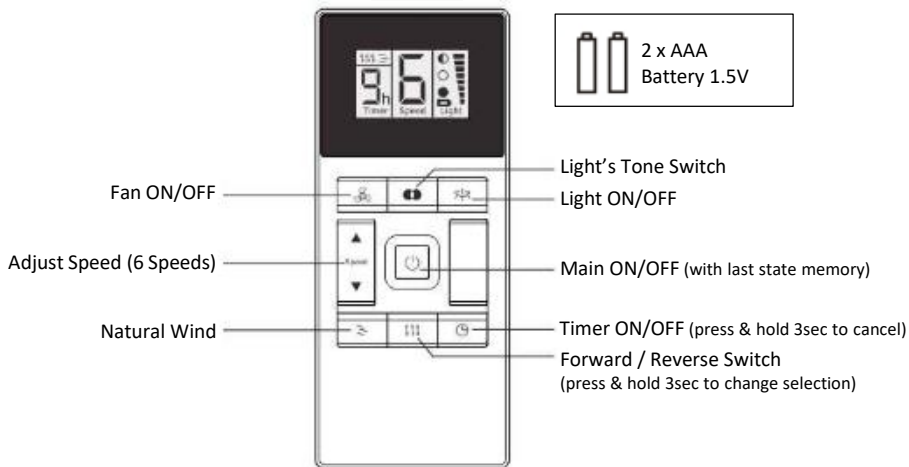
Receiver can be controlled by any angles of the Emitter in prescriptive space and unrestricted by direction.

With the memory features, the controller can save the status of the fan and light while the supply power OFF and resume to the last status after the power ON.


# REMOTE CONTROL MANUAL (BUTTON FUNCTION):

Model: DC-F626

## Emitter



## **IMPORTANT:**

1. Insert two size AAA alkaline batteries by matching **+** and **-** on the batteries to the diagram inside the battery compartment of the remote control.
2. Acorn Remote comes pre-paired from the factory. If your remote loses its pairing, you can re-pair by turn 'ON' the supply power and within 10 seconds press the Emitter button (Fan ON/OFF ) 3 times followed by 1 long press and hold for 3 seconds. A long 'beep' sound will be heard if pairing is successful. If pairing failed, turn OFF the supply power for at least 10 seconds before trying again.
3. When the Emitter cannot control the Receiver, check surrounding for any existence of similar remote control products. Some interference might occur when similar radio waves being transmitted.
4. Replace the batteries when found low in voltage as it will affected the sensitivity of the Emitter.
5. Always remove the batteries from the Emitter when leaving unused for long period of time.

## MAINTENANCE TIPS:

---

1. Because of the fan's natural movement, some connections may be loose. To check the support connections, brackets and blades attachments 2 times a year. Make sure they are all secured (It is not necessary to dismantle the entire fan from ceiling).
2. Clean your fan periodically to help maintain its appearance over the years. Do not use water when cleaning, use only a soft brush or lint-free cloth to avoid scratching the finish. The plating is coated with a lacquer to minimize the ratio of discoloration or tarnishing which would damage the motor or the wood or possibly cause an electric shock.
3. You can apply a light coat of furniture varnishing to the wood for additional protection and enhance its beauty. Surface scratched mark can be touch-up with a light coat of shoe polish.
4. There is no need to oil your fan. The motor is created with lubricated sealed ball bearings.
5. User are advised to contact the fan supplier to conduct regular examination of the fan suspension system at least once in every two years.

### WARNING

**MAKE SURE THE POWER IS SWITCH OFF AT THE ELECTRICAL PANEL BOX BEFORE YOU ATTEMPT TO ANY REPAIRS (REFER TO THIS SECTION), MAKING ELECTRICAL CONNECTIONS.**

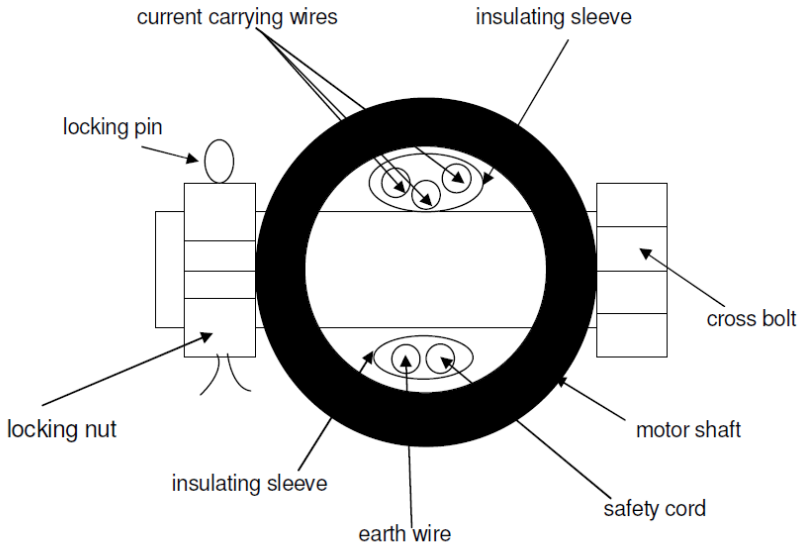
# TROUBLESHOOTING:

## PLEASE CHECK THE FOLLOWING BEFORE LODGING A SERVICE REPORT

PROBLEM	REASON	SOLUTION
Fan not moving	<ol style="list-style-type: none"><li>1) Main cables not connected.</li><li>2) Check the line wires.</li></ol>	<ol style="list-style-type: none"><li>1) Check mains &amp; sub circuit breakers or fuse.</li><li>2) Check the line wires connections to the fan &amp; switch housing.</li></ol>
Fan noisy	<ol style="list-style-type: none"><li>1) Housing screw loose.</li><li>2) Wire nut connections rattles against each other.</li><li>3) Canopy touches the ceiling.</li></ol>	<ol style="list-style-type: none"><li>1) Tighten all screws.</li><li>2) Separate &amp; store neatly all the wire nut connections.</li><li>3) Check &amp; ensure the canopy is not touching or too close to the ceiling.</li></ol>
Remote control not working	<ol style="list-style-type: none"><li>1) Remote &amp; receiver code different.</li><li>2) Battery not installed.</li><li>3) Battery weak</li></ol>	<ol style="list-style-type: none"><li>1) Check &amp; ensure both codes are identical.</li><li>2) Install the remote control battery.</li><li>3) Change new battery.</li></ol>

# NOTES:

## DRAWING SHOWING THE ASSEMBLY OF WIRES THROUGH FAN MOTOR SHAFT FOR DECORATIVE CEILING FAN



**Figure B: Acceptable (wires not under stress)**