



DC-159 LED 40" BK

build to natural comfort

INTAGLIO DC-159

LUMINOUS

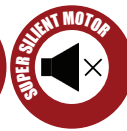
 **DC FANS**

40
1016 MM
INCH

52
1320 MM
INCH

acorn®
ceiling fan specialist





DC FANS



Model : DC-159 LED
 Motor : Innovative DC Motor 100
 Blade : Acrylic (ABS)
 Housing : Metal
 Voltage : 220~240V/50HZ
 Lightkit : 22W LED - RGB
 Watt : 49W (fan+lightkit) / 27W (fan only)



	40	52
Length :	1016mm	1320mm
RPM :	140-260	125-220
Air Flow :	3100-5800 CFM	3700-7650 CFM
Velocity :	360-700 FPM	240-580 FPM
Decibels :	dB 30-45	dB 30-45

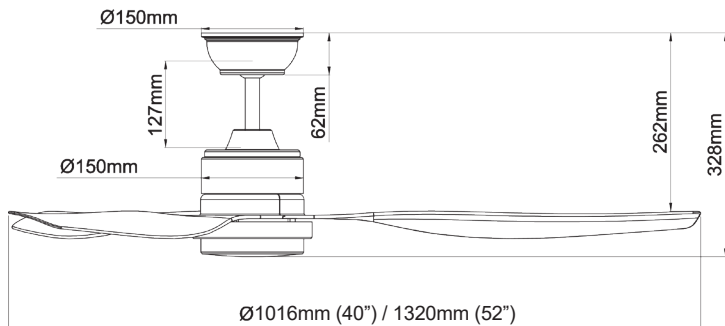
ceiling fan technical specification



Model : DC-FC989RS
 Timer : 1/4/8hrs
 Speed : 6 Speeds
 Functionality : natural wind
 forward reverse switch



genius pairing remote control



acorn®
 ceiling fan specialist

ACORN MARKETING & SERVICES PTE LTD