

[www.acornceilingfan.com](http://www.acornceilingfan.com)

**alCORN**<sup>®</sup>  
*ceiling fan specialist*



AC-326 CO

**FANTASTIQUE**<sup>326</sup>

# FANTASTIQUE <sup>326</sup>



Model	:	AC-326
Motor	:	188
Length	:	1168mm (46") 1371mm (54")
Blade	:	Acrylic (ABS)
Housing	:	Metal
RPM	:	145 - 265 (46") 105 - 210 (54")
Wind Power	:	3.5m/s
Voltage	:	220~240V/50HZ
Watt	:	100W
Lightkits	:	24W LED - RGB

ceiling fan technical specification



Model	:	AC-F623
Timer	:	1/3/6hrs
Light	:	On/Off
Speed	:	Low/Med/High

remote control specification



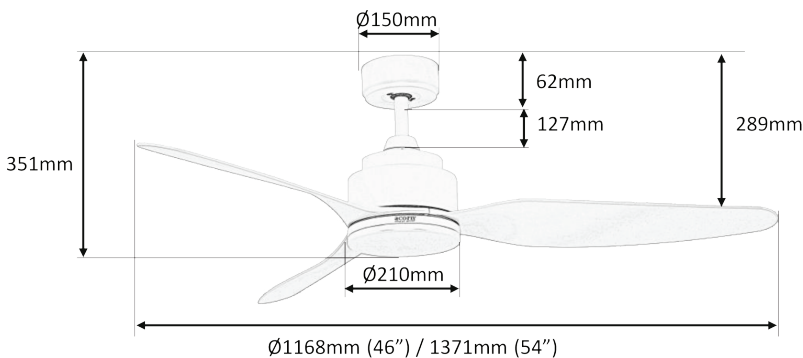
AC-326 BK



AC-326 CO



AC-326 WH



**ACORN**<sup>®</sup>  
ceiling fan specialist

**ACORN MARKETING & SERVICES PTE LTD**

512 Chai Chee Lane #02-09 Singapore 469028 | Tel: 6445 6144 Fax: 6635 6144 | Email: sales@acornceilingfan.com | Website: www.acornceilingfan.com