

DC-168 **DC FANS**  
**creation** 



**alcofin**<sup>®</sup>  
ceiling fan specialist

*create  
your own palette*



Model : DC-168 & DC-168H  
 Motor : Innovative DC Motor 153  
 Blade : Acrylic (ABS)  
 Housing : Metal  
 Voltage : 220~240V/50HZ  
 Lightkit : 20W LED Tri-Color  
**Watt**  
 Fan Only : 41W  
 Fan+Light : 57W

**42" (1067mm) 48" (1219mm)**

RPM : 150 - 270      145 - 260  
 Air flow (CFM) : 3520 - 7750      3980 - 7750  
 Velocity (FPM) : 350 - 680      320 - 660  
 Decibels (dB) : 43 - 52      44 - 53

Select Motor Type & Color



Ceiling Fan Technical Specification

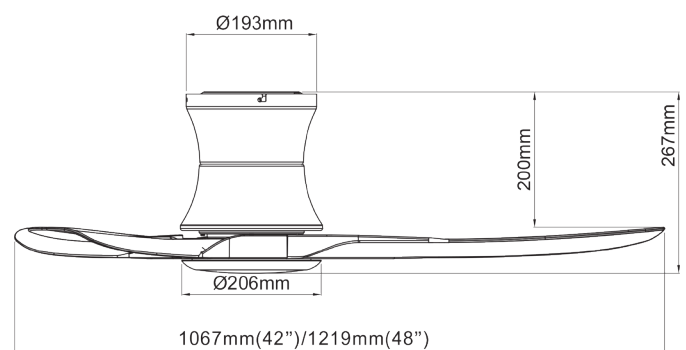
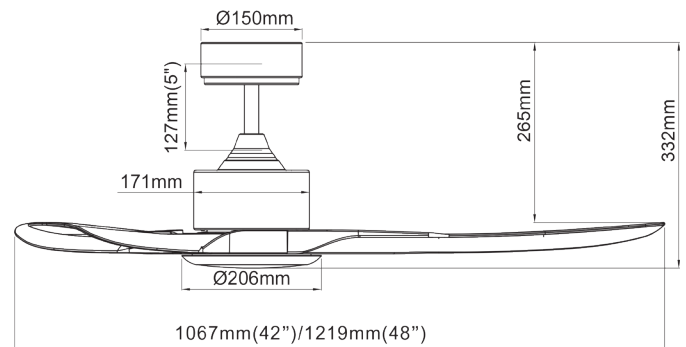


Model : DC-FC980RS  
 Timer : 1 | 4 | 8hrs  
 Speed : 6 speeds  
 Function : Smart Life App  
               Natural Wind  
               Forward-Reverse

Choose Blade Size & Color



Genius Smart Remote Control



**ACORN MARKETING & SERVICES PTE LTD**

512 Chai Chee Lane #02-09/08/07 Singapore 469028

T: 6445 6144 AcornCare: 9711 4676 TechnicalCentre: 8363 5474

E: sales@acornceilingfan.com W: www.acornceilingfan.com