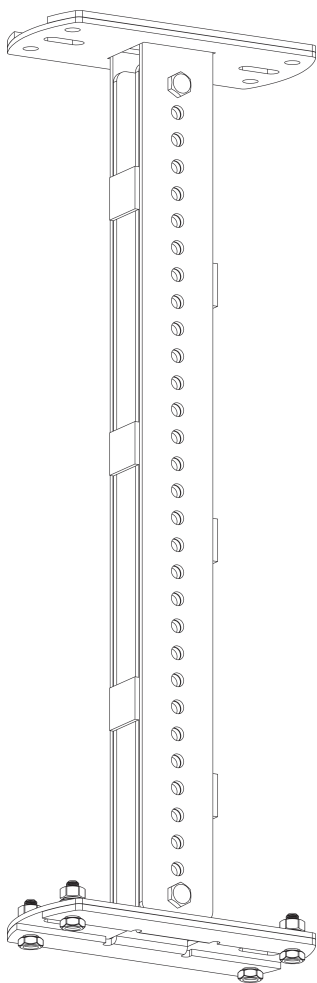


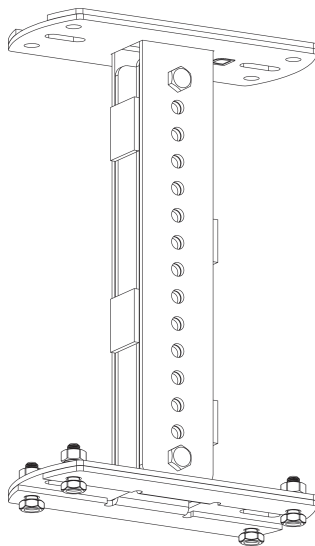
INSTALLATION MANUAL

False Ceiling Extension Bar

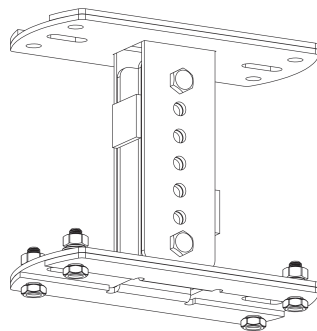
AC-FCEB400
(16" ~ 31")



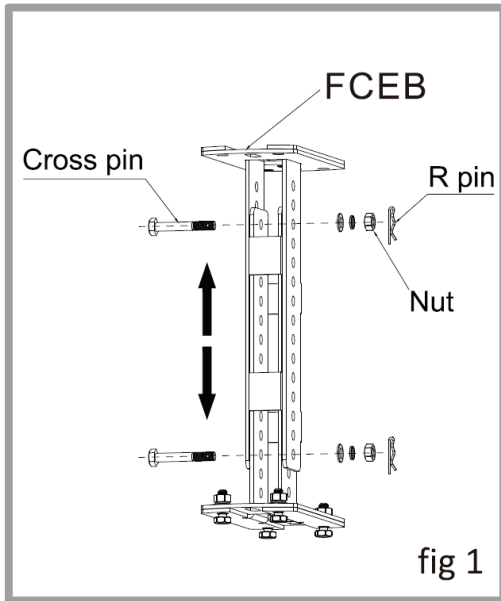
AC-FCEB200
(8" ~ 15")



AC-FCEB100
(4" ~ 7")

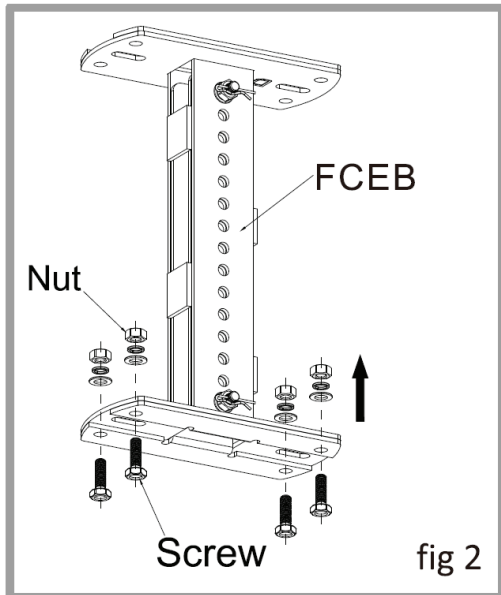


Installation of False Ceiling Extension Bar (FCEB)

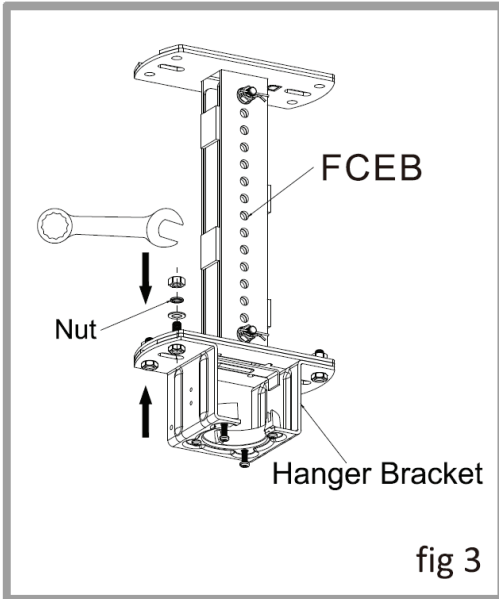


1) The FCEB is default to minimum size. To extend the length, remove the cross pin, nuts and R pins from FCEB.

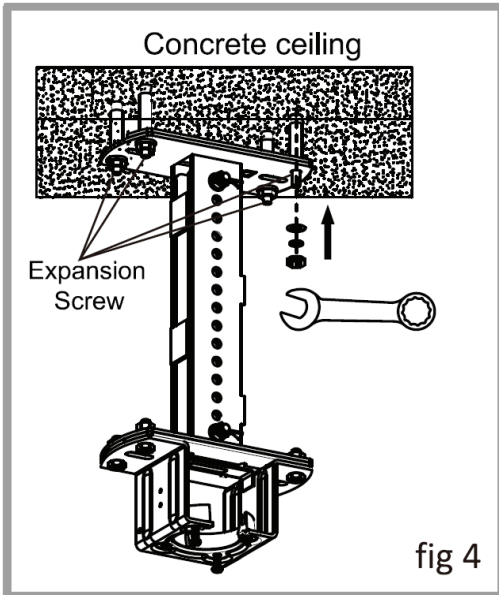
2) Adjust the FCEB to the required length and install back the cross pin, nuts and R pins. (fig 1)



3) Remove the four screws from the FCEB. (fig 2)



4) Align the hanger bracket screws hole with the FCEB, install back the four screws which removed in step 3 and tighten the nuts firmly. (fig 3)



5) Use four expansion screws to install the FCEB onto the concrete ceiling and fasten firmly. (fig 4)

ACORN MARKETING & SERVICES PTE LTD
512 Chai Chee Lane #02-09/08/07 Singapore 469028
T: 6445 6144 | F: 6635 6144 | E: support@acornceilingfan.com