



DC-159 LED BK

build to natural comfort

# INTAGLIO DC-159

LUMINOUS

 **DC FANS**



**alcofin**<sup>®</sup>  
*ceiling fan specialist*



DC-159 LED BK

Model : DC-159 LED  
 Motor : Innovative DC Motor 100  
 Length : 1320mm (52")  
 Blade : Acrylic (ABS)  
 Housing : Metal  
 Voltage : 220~240V/50HZ  
 Lightkit : 22W LED - RGB  
 RPM : 110-210

Watt

fan+lightkit : 49W  
 fan only : 27W



DC-159 LED WD

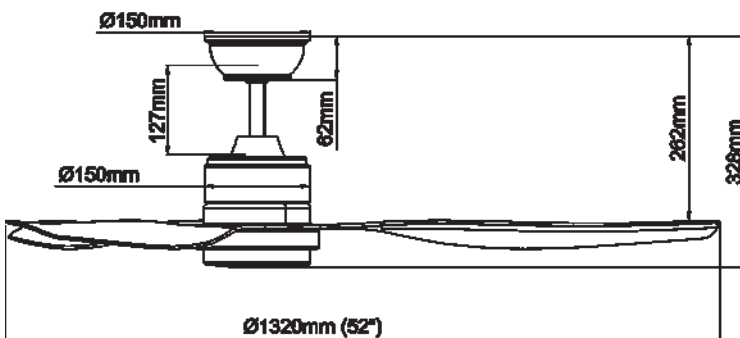
ceiling fan technical specification



DC-159 LED WH

Model : DC-FC989RS  
 Timer : 1/4/8hrs  
 Speed : 6 Speeds  
 Functionality : natural wind  
 forward reverse switch

genius pairing remote control



**acorn**®  
 ceiling fan specialist

**ACORN MARKETING & SERVICES PTE LTD**